

INSTRUCTION

**HDMI™
MATRIX SWITCH**

Model No. HTM 0404AN

V1.1

HTM0402AN
**HDMI
TRUE
MATRIX**



HSW0501BN
HDMI SWITCH



HSP0102BN
HDMI SPLITTER



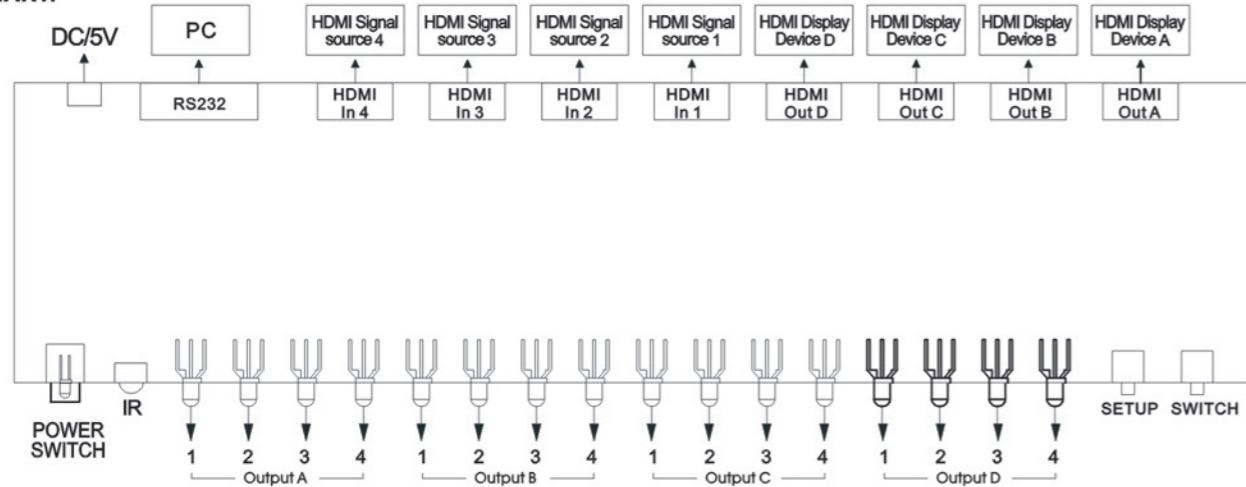
HET003
**HDMI
EXTENDER**



HC9001
HDMI CABLE



CHART:



Dear customer
Thank you for purchasing this product. For optimum performance and safety, please read these instructions carefully before connecting, operating or adjusting this product. Please keep this manual for future reference.

FEATURES

- Supports 4 different HDMI signal input sources, and 4 different HDMI outputs. The 4 outputs can be different or the same.
- Support deep color 36bit signal for true matrix output.
- Support Blue-Ray player and HDMI Audio Amplifier.
- Digital audio format: LPCM7.1/Dolby-AC3/DTS7.1/DSD
- HDCP1.2 protocol compliant.
- Support CEC.
- User can choose manual or remote operation RS232 via computer
- Smart selection function.
- Product Size : 280mm L X145mm W X34mm H

SMART FUNCTION INTRODUCTION

1. Sense the input source ports automatically ,and bypass the port without signal .

2. Remember the active input source port(s) while pressing "FAVOURITE" on the remote control, and select this input source port automatically when restart.

REMOTE CONTROL INTRODUCTION

1. Pressing the number to select the input source accordingly.
2. Pressing "FAVOURITE" to get the Matrix remember the active input source(s), and select this input source port(s) automatically when restart.

CONNECTING AND OPERATING

1. Connect the HDMI cable from the HDMI devices into the HDMI Matrix Switch Inputs
2. Connect the cable from your display (monitor or projector) into the HDMI Matrix Switch Output
3. Connect the 5volt power adapter to the HDMI Matrix Switch .
4. Power on the input devices ,display devices, and the external power.
5. Power on the HDMI Matrix by pressing the power switch on the front panel
6. Front panel Switches:
POWER-- To power on/off the matrix
SET UP-- To select the output group A; B; C or D
SWITCH-- To select the input source manually within the selected output group

LED COLOR DIRECTION:
Blue LED indicates "Active Signal Path".

SPECIFICATIONS

Operating temperature range: -5 to +55°C
Operating humidity range: 5 to 90 % RH (no condensation)
Data transfer speed: 10.2Gbps
Input Video Signal: 5.0Volts P-P
Max working current: 1200mA
Power adapter supply: DC:5V,4A
Power adapter format: Input: AC(50HZ.60HZ)100V-240V;
Output:DC5V
Support resolution:
1080P/1080i/720P/576P/480P/576i/480i
Supports video color format: deep color 24bit/36bit
Supports audio format: LPCM/Dolby-AC3/DTS7.1/DSD
HDMI output cable distance: ≤20m (if need longer, amplifier is needed)
HDMI version: HDMI 1.3
HDCP version: HDCP1.2

WARNING

TO REDUCE THE RISK OF FIRE, ELECTRIC SHOCK OR PRODUCT DAMAGE:

1. Do not expose this apparatus to rain, moisture, dripping or

splashing and make sure that no objects filled with liquids, such as vases, are placed on the apparatus.

2. Do not install or place this unit in a bookcase, built-in cabinet or in another confined space. Ensure the unit is well ventilated.
3. To prevent risk of electric shock or fire hazard due to overheating, do not obstruct the unit's ventilation openings with newspapers, tablecloths, curtains and similar items.
4. Do not install near any heat sources such as radiators, heat registers, Stoves or other apparatus.
5. Do not place sources of naked flames, such as lighted candles on the unit.
6. Clean this apparatus only with dry cloth.
7. Unplug this apparatus during lightning storms or when unused for long time
8. Protect the power cord from being walked on or pinched, particularly at plugs.
9. Only use attachments/accessories specified by the manufacturer
10. Refer all servicing to qualified service personnel.