

HDMI™ SWITCH

Model No. HSW 0401AN HSW 0501AN

V3.1.1



WARNING

TO REDUCE THE RISK OF FIRE, ELECTRIC SHOCK OR PRODUCT DAMAGE:

1. Do not expose this apparatus to rain, moisture, dripping or splashing and make sure that no objects filled with liquids, such as vases, are placed on the apparatus.
2. Do not install or place this unit in a bookcase, built-in cabinet or in another confined space. Ensure the unit is well ventilated.
3. To prevent risk of electric shock or fire hazard due to overheating, do not obstruct the unit's ventilation openings with newspapers, tablecloths, curtains and similar items.
4. Do not install near any heat sources such as radiators, heat registers, Stoves or other apparatus.
5. Do not place sources of naked flames, such as lighted candles on the unit.
6. Clean this apparatus only with dry cloth.
7. Unplug this apparatus during lightning storms or when unused for long time
8. Protect the power cord from being walked on or pinched, particularly at plugs.
9. Only use attachments/accessories specified by the manufacturer
10. Refer all servicing to qualified service personnel.

Dear customer
Thank you for purchasing this product. For optimum performance and safety, please read these instructions carefully before connecting, operating or adjusting this product. Please keep this manual for future reference.

FEATURES

- Supports 4 different HDMI signal input sources, and 1 HDMI output.
- Support deep color 36bit. Support Blue-Ray 24fs/ xv-YCC.
- HDMI 1.3 protocol compliant.
- HDCP1.2 protocol compliant.
- Support digital audio: DTS-HD/LPCM/Dolby-AC3/DTS7.1/DSD.
- User can choose manual or remote operation.
- This unit can also smartly choose the signal source with priority order.
- Product Size : 10.16 in x 4.41 in x .98 in (25.8cm x 11.2cm x 2.5cm)

REMOTE CONTROL INTRODUCTION

1. Pressing the number to select the input source accordingly.
2. Pressing ⏪ or ⏩ to select the previous or next input source.
3. Pressing "FAVOURITE" to get the switch remember the active input source, and select this input source port Automatically when restart.

CONNECTING AND OPERATING

1. Connect the HDMI cable from the HDMI devices into the HDMI Switch Inputs
2. Connect the cable from your display (monitor or projector) Into the HDMI Switch HDMI Output
3. A 5volt power supply is provided and may be required if The Voltage of the signal input is unstable.

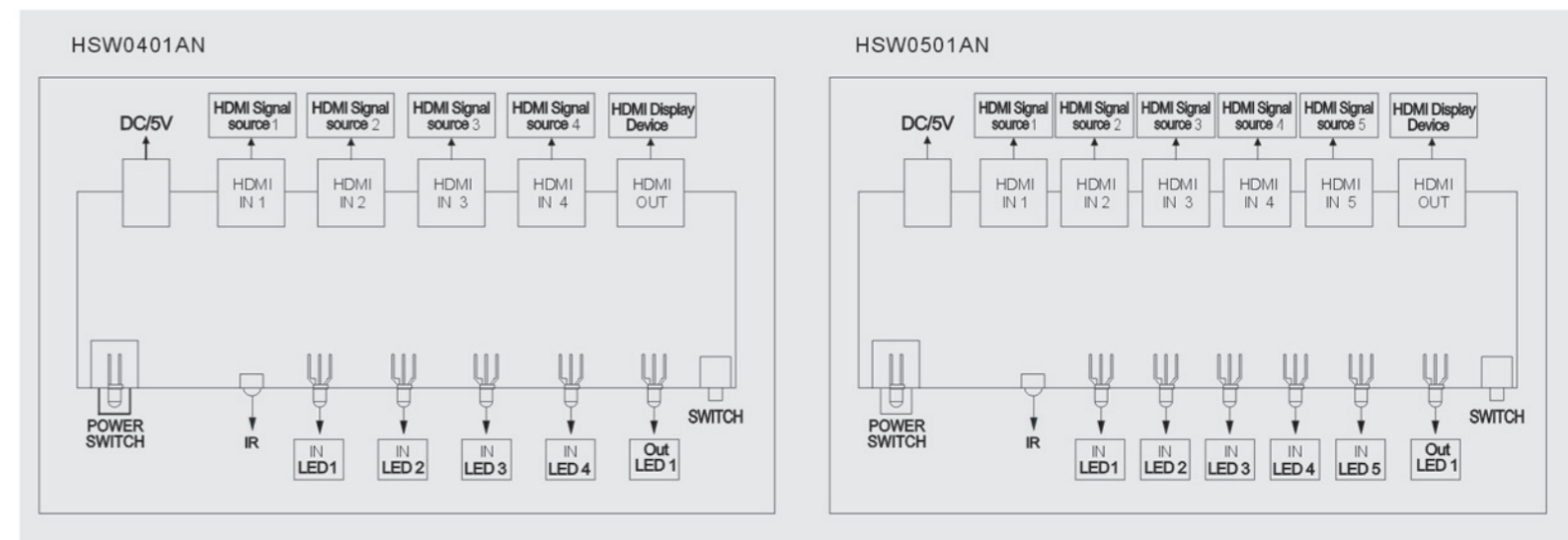
LED COLOR DIRECTION:

1. When input or output devices are connected to switch and the devices work, the LED to the device will be red.
2. When HDMI signal is sent to the display devices simultaneously, the LED to the devices will be blue.

SPECIFICATIONS

Operating temperature range: -5 to +35°C (23 to +95°F)
 Operating humidity range: 5 to 90 % RH (no condensation)
 Data transfer speed: 10.2 Gbps
 Input Video Signal: 0.5-1.0 volts p-p
 Input DDC Signal: 5 volts p-p (TTL)
 Max working current: 300mA
 Power adapter supply: DC:5V,2A
 Power adapter format: Input: AC(50HZ.60HZ)100V-240V;
 Output:DC5V

CHART:



Support resolution: 1080P
 24fs/1080P/1080i/720P/576P/480P/576i/480i
 Supports video color format: deep color 24bit/36bit

HDMI output cable distance: ≤15m (if need longer, amplifier is needed)
 HDMI Version: HDMI 1.3
 HDCP version: HDCP1.2